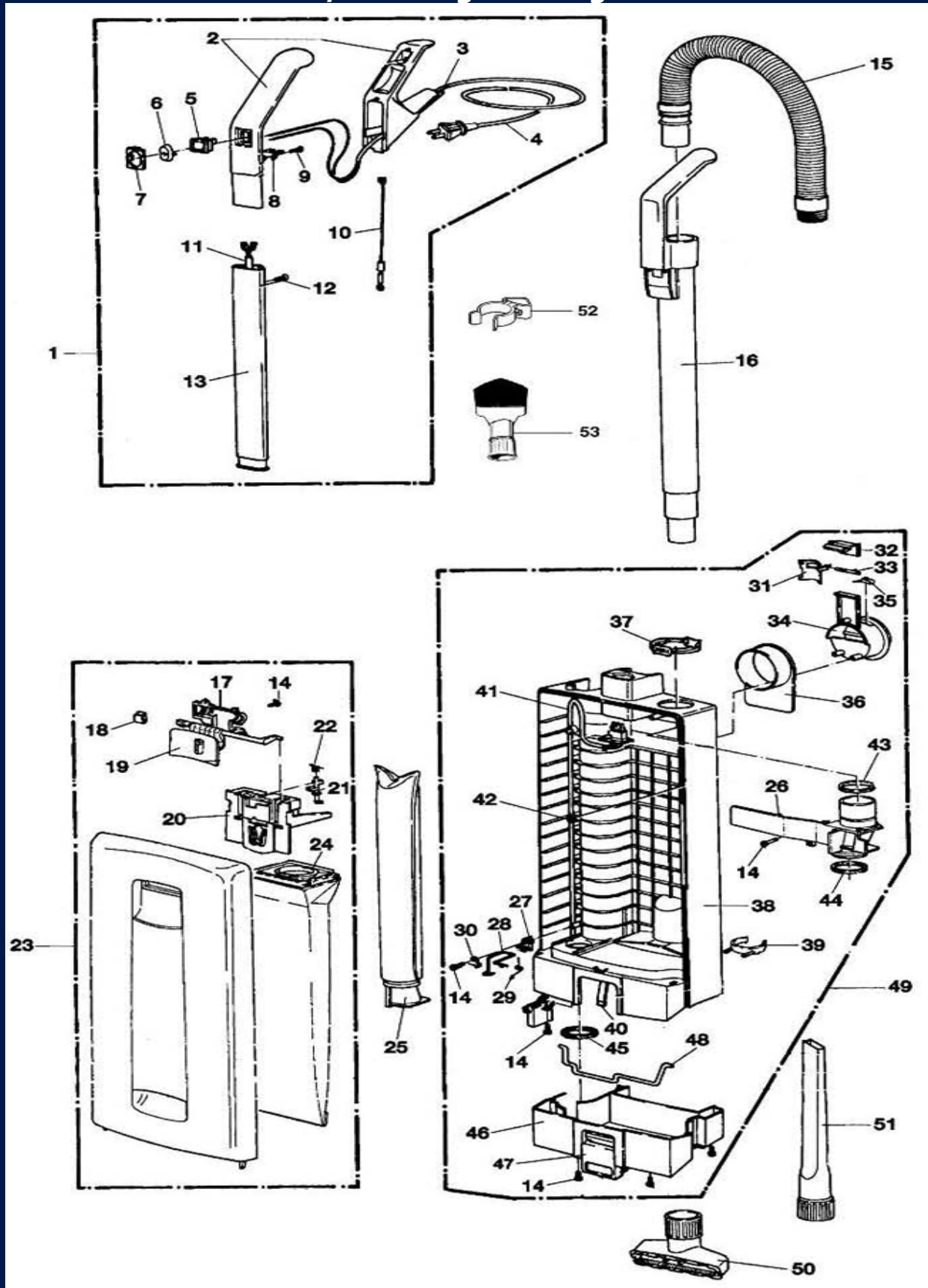







Essential G Schematics

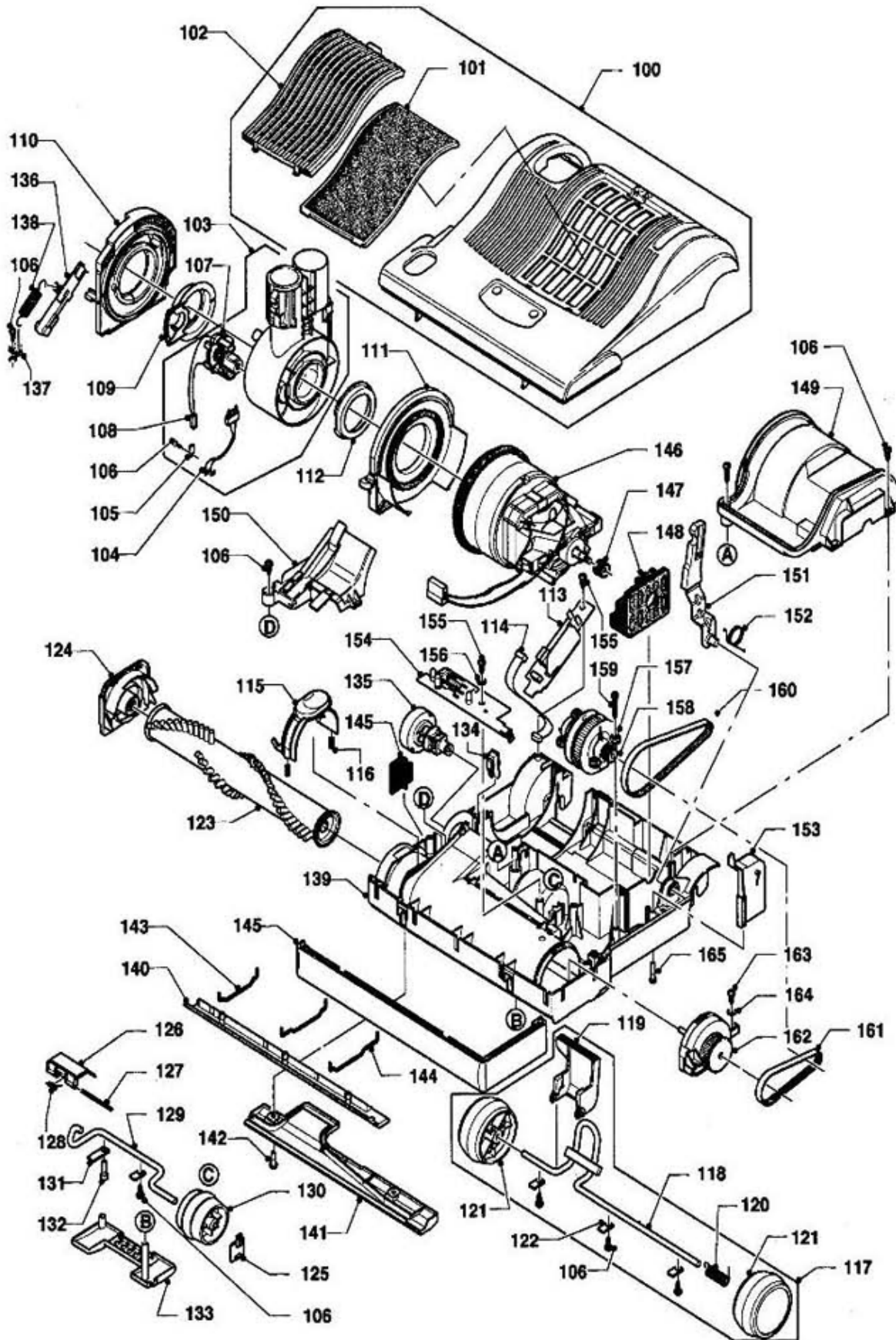
Essential G1/G2 - Bag Housing with Handle



10 Essential G Vacuum Bags	Essential G Stair & Upholstery	Essential G Vac Hose	Essential G Floor/Wall Tool	Essential G Radiator Brush
				
\$24.99 Qty <input type="text" value="1"/> Add to Cart	\$54.99 Qty <input type="text" value="1"/> Add to Cart	\$44.99 Qty <input type="text" value="1"/> Add to Cart	\$28.99 Qty <input type="text" value="1"/> Add to Cart	\$14.99 Qty <input type="text" value="1"/> Add to Cart

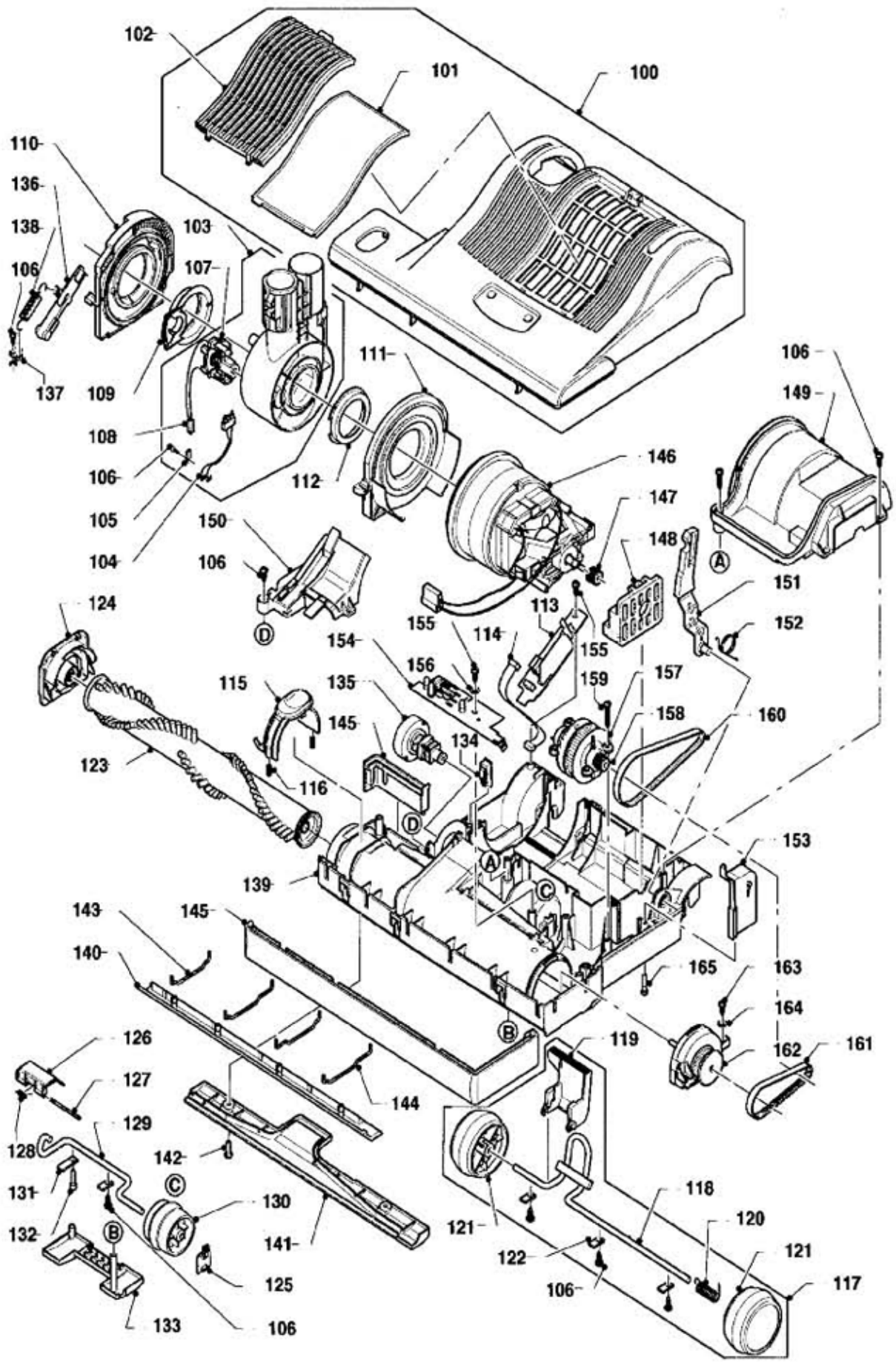
Bag Housing with Handle Parts List		
1 5624AT Handle with cable, teal, complete	2 5296ES Handle grip (incl. pos. 3, 7 & 10)	3 5359HG Grommet
4 5450DG Power supply cord	5 05113 Switch	6 5160TK Switch cap -teal
7 5161HG Switch cap holder -light gray	8 5162 Cable clamp	9 0103 Screw C 3.9 x 16
10 5253UL Antistatic-wire, cpl.	11 5298ER Handle cable	12 0129 Screw, M4 x 12
13 5187 Handle tube	14 0102 Screw F 3.9 x 13	15 5040SB Hose -silver, complete
16 5045HG Extension tube	17 5803HG Cover	18 5319 Bag holder spring
19 5706TK Cover release -teal	20 5324 Bag holder, complete (incl. pos. 21 & 22)	21 5360 Safety catch
22 5091 Safety catch spring	23 5805TK Front cover, complete -gray/teal	24 5093AM Filter bag
25 5036AM Micro hygiene filter	26 5380HG Internal cover, complete (incl. pos. 43 & 44)	27 5164 Cable clamp
28 5208 Filter safety catch	29 5210 Return spring	30 1073 Clamp
31 5099 Handle lock plate	32 5098HG Lock catch	33 0187 Lock pin 4 x 33.5
34 5145HG Carrying handle	35 5146 Stop spring	36 5144HG Cable hook
37 5424DG Retaining ring	38 5280HG Dust bag housing	39 1823HG Attachment clip
40 5084 Spring for locking rod	41 5299ER Internal cable	42 5266 Cable clamp
43 5842 Seal	44 5289 Seal	45 5163 Seal
46 5085HG Dust bag housing bumper base	47 5082TK Dust bag housing locking catch -teal	48 5083 Locking rod
49 5214AT Dust bag housing -light gray/teal	50 1491JE Upholstery nozzle -light gray	51 1092JE Crevice nozzle -light gray
52 5460DG Mounting clip with screw -dark gray	53 1387DG Dusting brush	

Essential G1 Power Head



Power Head Parts List

100 2831AT Power head cover, complete - teal	101 2846 Exhaust filter	102 2820TK Exhaust filter cover -teal
103 2823UL Swivel neck assembly	104 2883 Male contact holder	105 2494 Cable clamp
106 0102 Screw F 3.9 x 13	107 2835 Bypass valve	108 0869 Internal cable
109 2825 Swivel neck bearing r.h.	110 2824 Swivel neck support r.h.	111 5479 Swivel neck support l.h.
112 5717 Swivel neck bearing l.h.	113 2890ER PCB Power supply	114 0864 Internal Cable
115 5713TK Brush roller release -teal	116 5103 Spring	117 5051HG Axle assembly
118 5053 Axle	119 5059OR Foot pedal -orange	120 2010 Axle spring
121 5819HG Wheel, complete	122 2014 Axle clamp	123 5010AM Brush roller
124 5031TK Bearing block, r.h. -teal/light gray	125 2869HG Rubbing plate	126 2868OR Access door (incl. pos. 127 & 128)
127 5303 Access door axle	128 5304 Access door spring	129 2861 Pile adjustment axle
130 5174HG Pile adjustment wheel	131 2849 Axle clamp	132 01010 Screw AM4 x 16
133 2860HG Cover	134 2833 Thrust member	135 2862HG Pile adjustment knob
136 2834 Thrust member	137 2856 Clamp	138 2867 Spring
139 2821HG Chassis, complete	140 5411HG Front bottom plate, complete	141 2829HG Rear bottom plate, complete (incl. pos. 142)
142 0197 Screw M4 x 12	143 5401 Wire tie	144 5402 Wire tie
145 5005HG Bumper, set	146 5468 Motor 1300W / 120V 05117S Carbon brush set	147 5462 Vacuum motor pulley 2MR
148 5100 Rubber mounting	149 2826TK Motor cover -teal	150 2839SW Cover for air channel
151 5129 Support lever	152 5107-1 Support spring	153 5112SW Motor pulley cover
154 2881ER Computer controller	155 0107 Screw C 2.9 x 13	156 0143 Washer 3.2 DIN 125
157 5464 Sensor	158 5117/1 Sensor pulley	159 0104 Screw C 3.9 x 25
160 5463 Belt 2MR-310-6	161 5110 Belt 219 3M HTDII-6	162 5766HG Bearing block l.h., complete
163 0103 Screw C 3.9 x 16	164 0140 Washer 4.3	165 0176TL Screw AM4 x 30



Power Head Parts List

100 2832AT Power head cover, complete - teal	101 2846 Exhaust filter	102 2820TK Exhaust filter cover -teal
103 2823UL Swivel neck assembly	104 2883 Male contact holder	105 2494 Cable clamp
106 0102 Screw F 3.9 x 13	107 2835 Bypass valve	108 0869 Internal cable
109 2825 Swivel neck bearing r.h.	110 2824 Swivel neck support r.h.	111 5479 Swivel neck support l.h.
112 5717 Swivel neck bearing l.h.	113 2890ER PCB Power supply	114 0864 Internal Cable
115 2843TK Brush roller release -teal	116 5103 Spring	117 5051HG Axle assembly
118 5053 Axle	119 5059OR Foot pedal -orange	120 2010 Axle spring
121 5819HG Wheel, complete	122 2014 Axle clamp	123 2838AM Brush roller
124 5031TK Bearing block r.h. -teal/light gray	125 2869HG Rubbing plate	126 2868OR Access door (incl. pos. 127 & 128)
127 5303 Access door axle	128 5304 Access door spring	129 2861 Pile adjustment axle
130 5174HG Pile adjustment wheel	131 2849 Axle clamp	132 01010 Screw AM4 x 16
133 2860HG Cover	134 2833 Thrust member	135 2862HG Pile adjustment knob
136 2834 Thrust member	137 2856 Clamp	138 2867 Spring
139 2822HG Chassis, complete, G2	140 2828HG Front bottom plate, complete	141 2830HG Rear bottom plate, complete (incl. pos. 142)
142 0197 Screw M4 x 12	143 5401 Wire tie	144 5402 Wire tie
145 2842HG Bumper, set	146 5468 Motor 1300W / 120V 05117S Carbon brush set	147 5462 Vacuum motor pulley 2MR
148 5100 Rubber mounting	149 2826TK Motor cover -teal	150 2839SW Cover for air channel
151 5129 Support lever	152 5107-1 Support spring	153 5112SW Motor pulley cover
154 2881ER Computer controller	155 0107 Screw C 2.9 x 13	156 0143 Washer 3.2 DIN 125
157 5465 Sensor	158 5117/1 Sensor pulley	159 0104 Screw C 3.9 x 25
160 5463 Belt 2MR-310-6	161 5110 Belt 219 3M HTDII-6	162 5766HG Bearing block l.h., complete
163 0103 Screw C 3.9 x 16	164 0140 Washer 4.3	165 0176TL Screw AM4 x 30